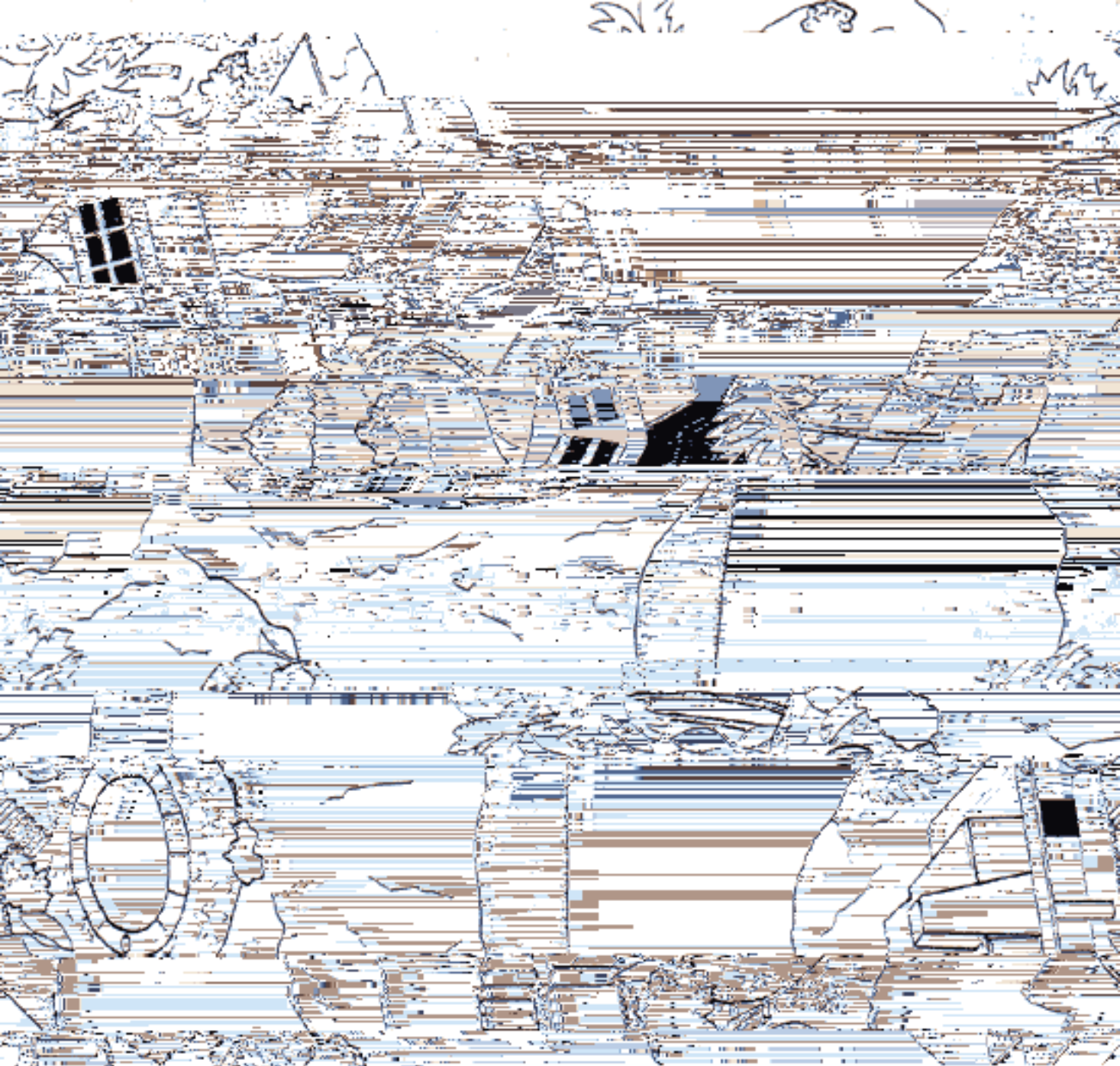




BLUE PETER'S 21st CENTURY TRACY ISLAND

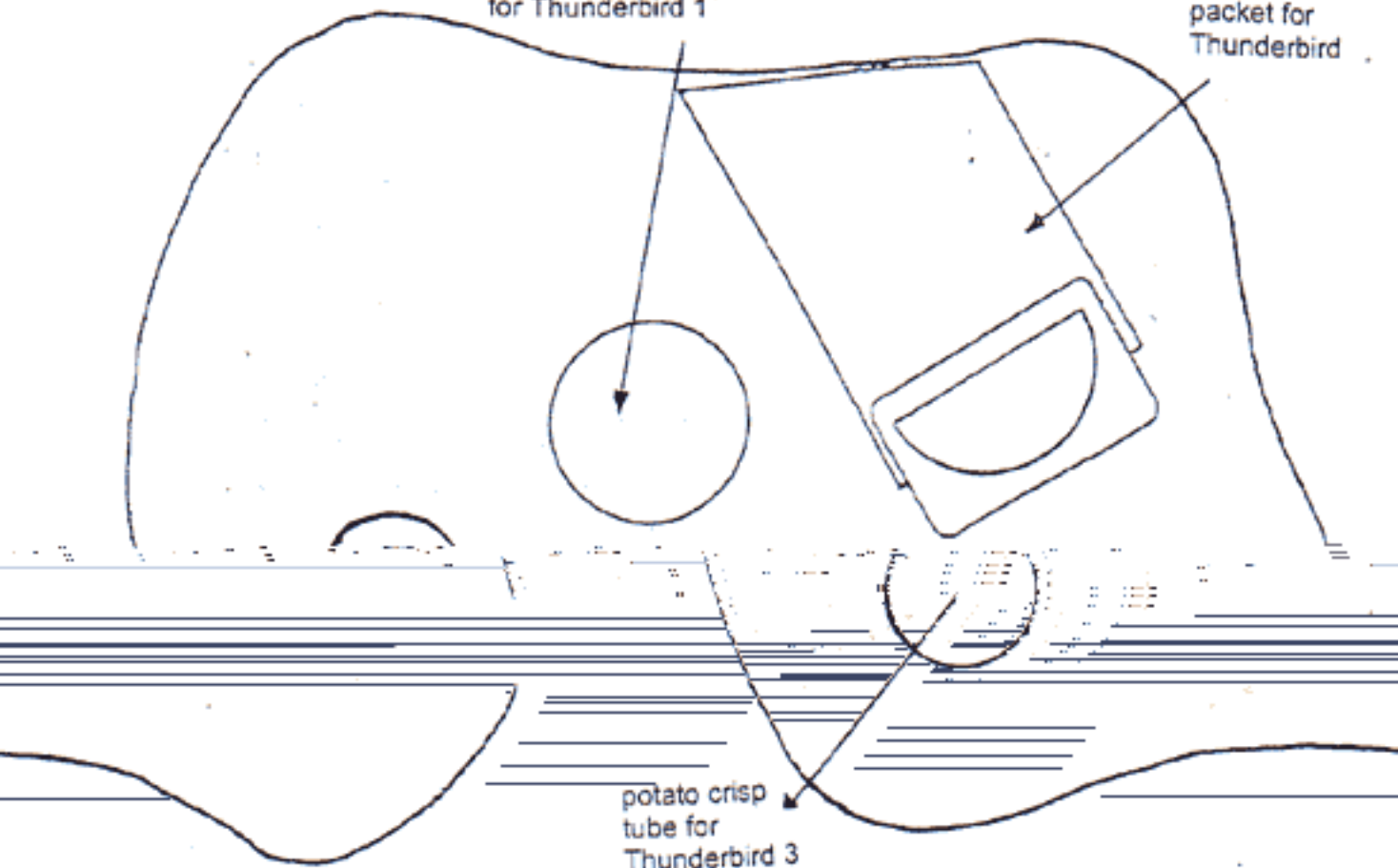
54321 THUNDERBIRDS ARE GO!



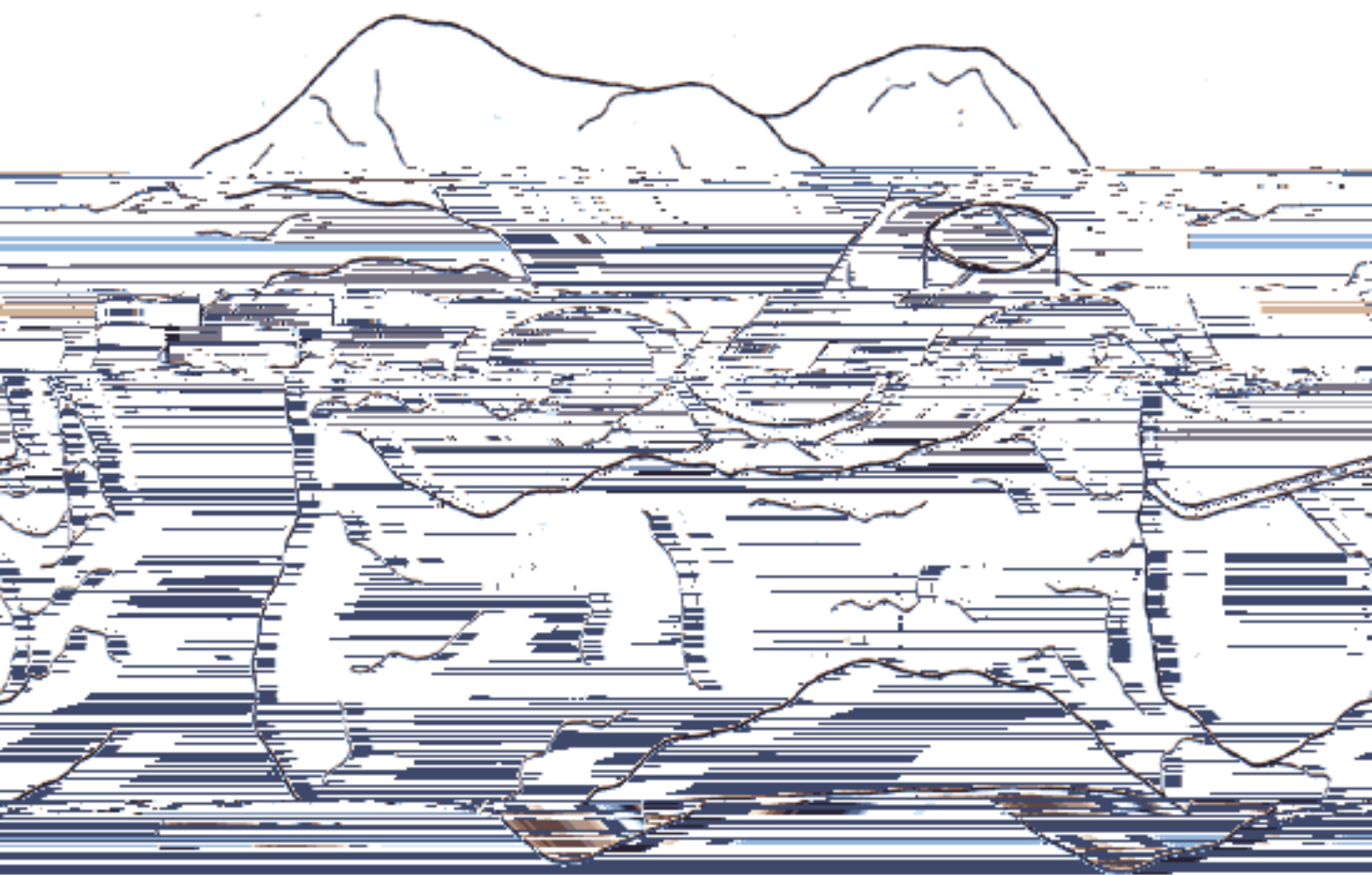


1 litre washing-up liquid bottle
for Thunderbird 1

soap powde
packet for
Thunderbird



3) Thunderbird 1 Launch Pkg This is a 1 litre washing-up liquid bottle cut down to the exact front of the boat, on which the structure for the front of the boat is based.



The base of the model is built from a rolled newspaper spread with P.V.A glue. You can thin the glue down with a little water to make it go further. Spread some glue on a half sheet of newspaper, overlap crumpled paper on to the base. Don't forget to leave spaces for a beach and a garden. The height of the wash house should be just leave a few centimetres of the potato crisp tube uncovered. The areas around the bottle and the tube should be fairly flat, so should the space near the back where the house will sit. Complete powder packet except for the sides and pile up paper at the back. Finish off with a layer of smaller pasted scraps of paper overlapping each other - this will hold the whole thing together. Leave to dry overnight.

newspaper spread with P.V.A glue. You can thin the glue down with a little water to make it go further. Spread some glue on a half sheet of newspaper, overlap crumpled paper on to the base. Don't forget to leave spaces for a beach and a garden. The height of the wash house should be just leave a few centimetres of the potato crisp tube uncovered. The areas around the bottle and the tube should be fairly flat, so should the space near the back where the house will sit. Complete powder packet except for the sides and pile up paper at the back. Finish off with a layer of smaller pasted scraps of paper overlapping each other - this will hold the whole thing together. Leave to dry overnight.

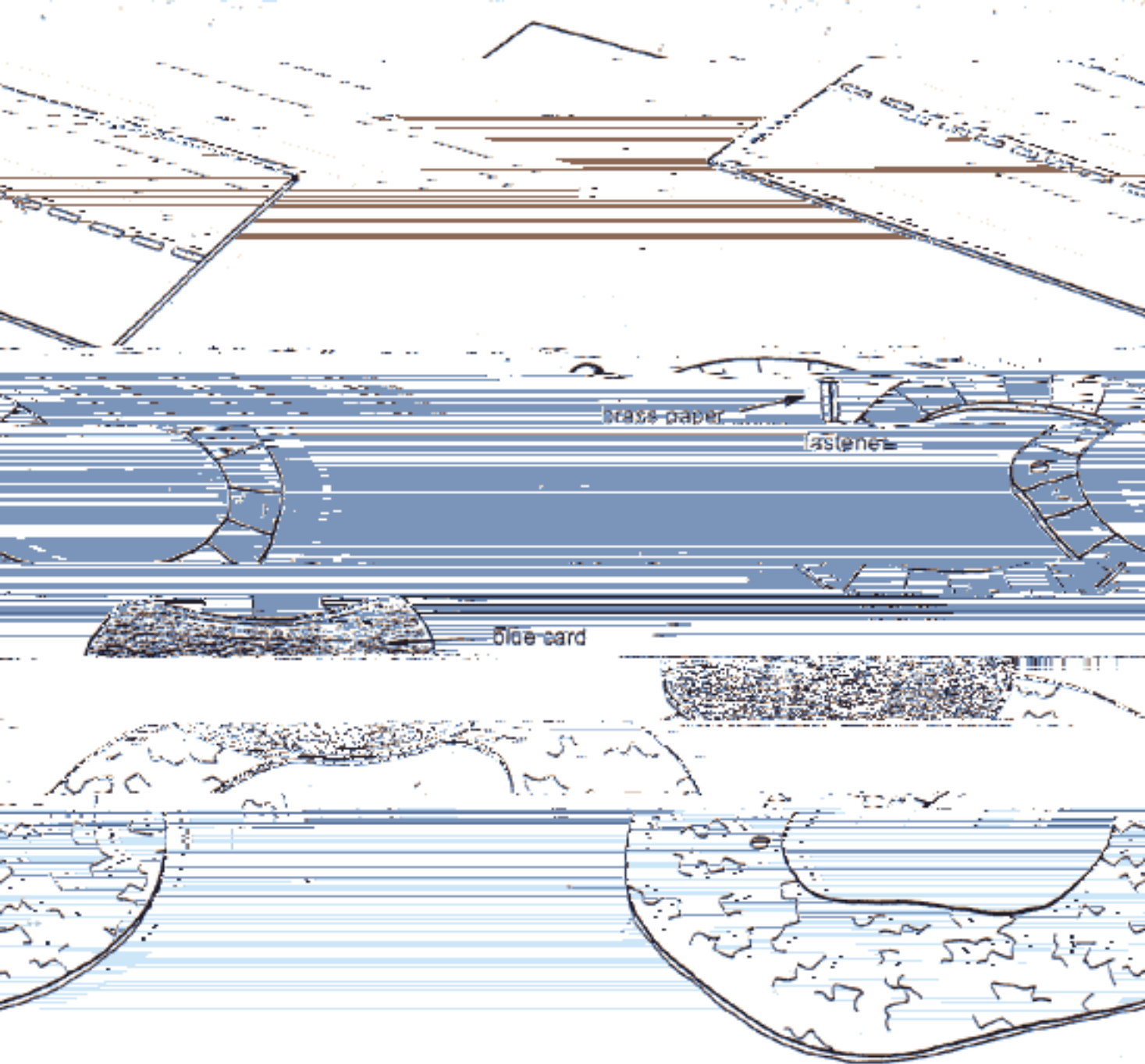
newspaper spread with P.V.A glue. You can thin the glue down with a little water to make it go further. Spread some glue on a half sheet of newspaper, overlap crumpled paper on to the base. Don't forget to leave spaces for a beach and a garden. The height of the wash house should be just leave a few centimetres of the potato crisp tube uncovered. The areas around the bottle and the tube should be fairly flat, so should the space near the back where the house will sit. Complete powder packet except for the sides and pile up paper at the back. Finish off with a layer of smaller pasted scraps of paper overlapping each other - this will hold the whole thing together. Leave to dry overnight.

newspaper spread with P.V.A glue. You can thin the glue down with a little water to make it go further. Spread some glue on a half sheet of newspaper, overlap crumpled paper on to the base. Don't forget to leave spaces for a beach and a garden. The height of the wash house should be just leave a few centimetres of the potato crisp tube uncovered. The areas around the bottle and the tube should be fairly flat, so should the space near the back where the house will sit. Complete powder packet except for the sides and pile up paper at the back. Finish off with a layer of smaller pasted scraps of paper overlapping each other - this will hold the whole thing together. Leave to dry overnight.

newspaper spread with P.V.A glue. You can thin the glue down with a little water to make it go further. Spread some glue on a half sheet of newspaper, overlap crumpled paper on to the base. Don't forget to leave spaces for a beach and a garden. The height of the wash house should be just leave a few centimetres of the potato crisp tube uncovered. The areas around the bottle and the tube should be fairly flat, so should the space near the back where the house will sit. Complete powder packet except for the sides and pile up paper at the back. Finish off with a layer of smaller pasted scraps of paper overlapping each other - this will hold the whole thing together. Leave to dry overnight.

newspaper spread with P.V.A glue. You can thin the glue down with a little water to make it go further. Spread some glue on a half sheet of newspaper, overlap crumpled paper on to the base. Don't forget to leave spaces for a beach and a garden. The height of the wash house should be just leave a few centimetres of the potato crisp tube uncovered. The areas around the bottle and the tube should be fairly flat, so should the space near the back where the house will sit. Complete powder packet except for the sides and pile up paper at the back. Finish off with a layer of smaller pasted scraps of paper overlapping each other - this will hold the whole thing together. Leave to dry overnight.

newspaper spread with P.V.A glue. You can thin the glue down with a little water to make it go further. Spread some glue on a half sheet of newspaper, overlap crumpled paper on to the base. Don't forget to leave spaces for a beach and a garden. The height of the wash house should be just leave a few centimetres of the potato crisp tube uncovered. The areas around the bottle and the tube should be fairly flat, so should the space near the back where the house will sit. Complete powder packet except for the sides and pile up paper at the back. Finish off with a layer of smaller pasted scraps of paper overlapping each other - this will hold the whole thing together. Leave to dry overnight.



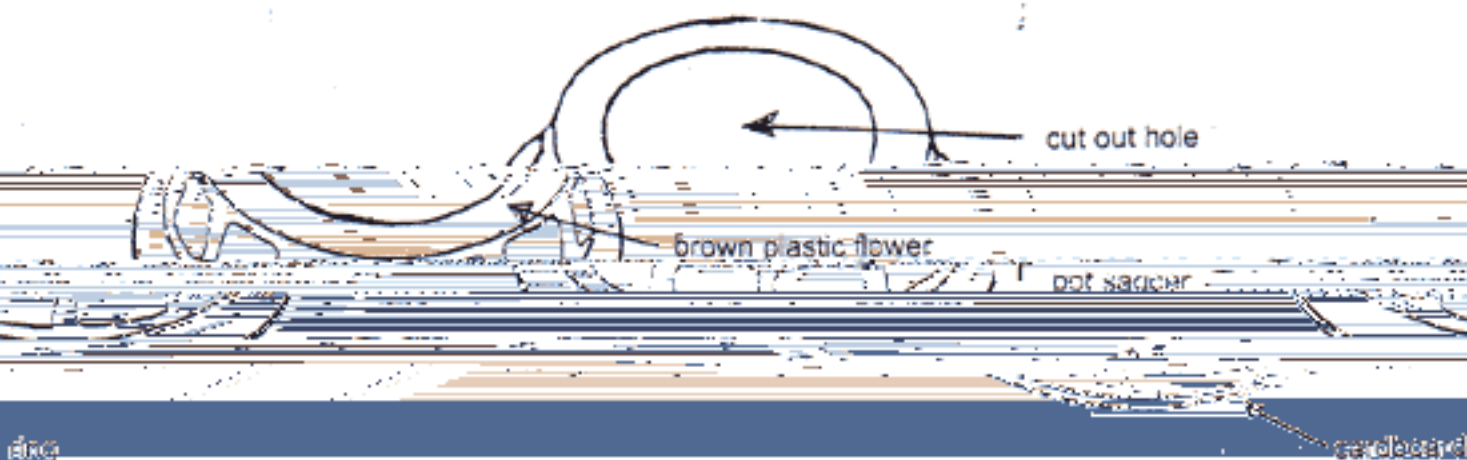
...blong of card and paint it grey. The
 ...the top of the washing-up
 ...edge.

10) Thunderbird 2 Runway Cut an o
 ...the middle that will allow Thun
 ...hang

Swimming Pool Cut out a piece of cereal packet that will fit over the
 ...of the washing-up bottle and overlap a few centimetres. Cut a hole in
 ...the middle that will allow Thun
 ...the rim for the pool. Cut a
 ...both pieces with foil and paint
 ...the rim and fix the top and bottom
 ...er - this will allow the swimming
 ...ver the

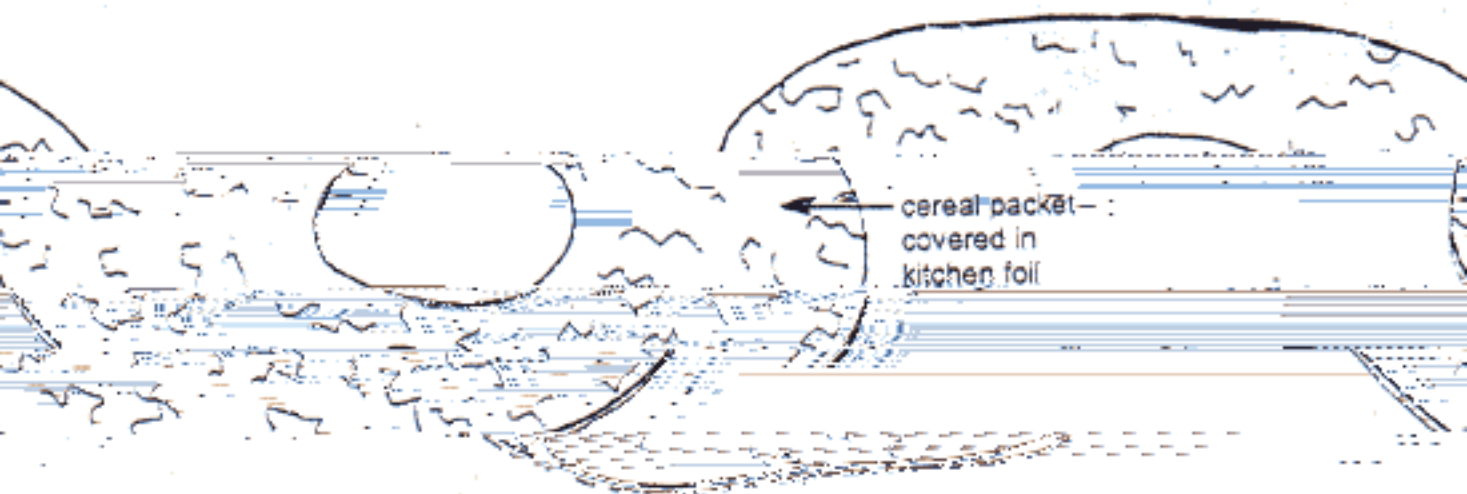
11) Thunderbird 2 Runway Cut an o
 ...the middle that will allow Thun
 ...hang

pool to slide on one side for lift off. Give the pool in place of
 washing-up liquid bottle.



ring

cardboard



126) Observe since had blue and other pieces of tube (just like the swimming pool surround):

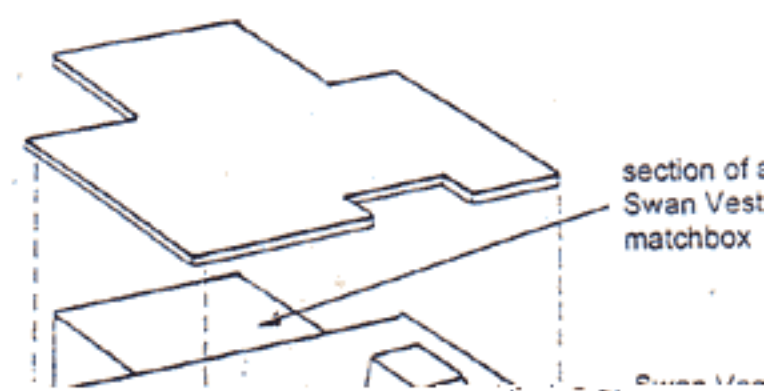
127) Observe lower above than cereal packet that will fit over the

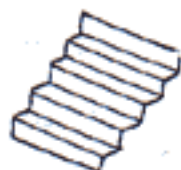
13) The House. The house is made of a small matchbox and a section of a cheese box lid. The chimney is cut from layers of cardboard. Trim the front of the building with a strip of corrugated paper and cover the roof with a piece of card. Glue the

house is a small
the cheese box
layers of thick
pieces of drinking

building to a cheese box lid. The lower building of the matchbox glued onto a cardboard base the same size as the lid. Make the small matchbox higher with a couple of layers of cardboard. Paint then glue the two halves together with pieces of straw in-between for pillars.

a
as



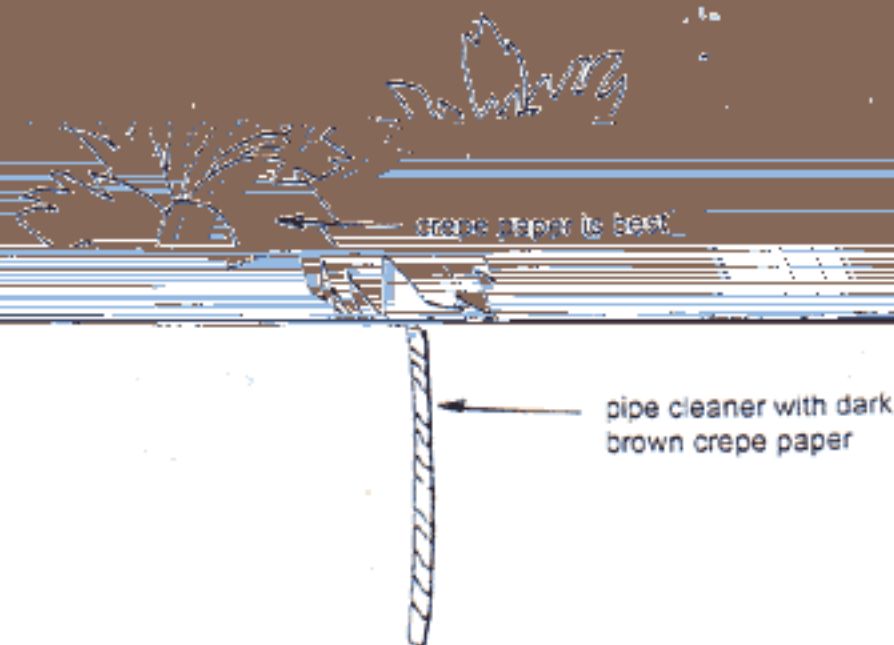


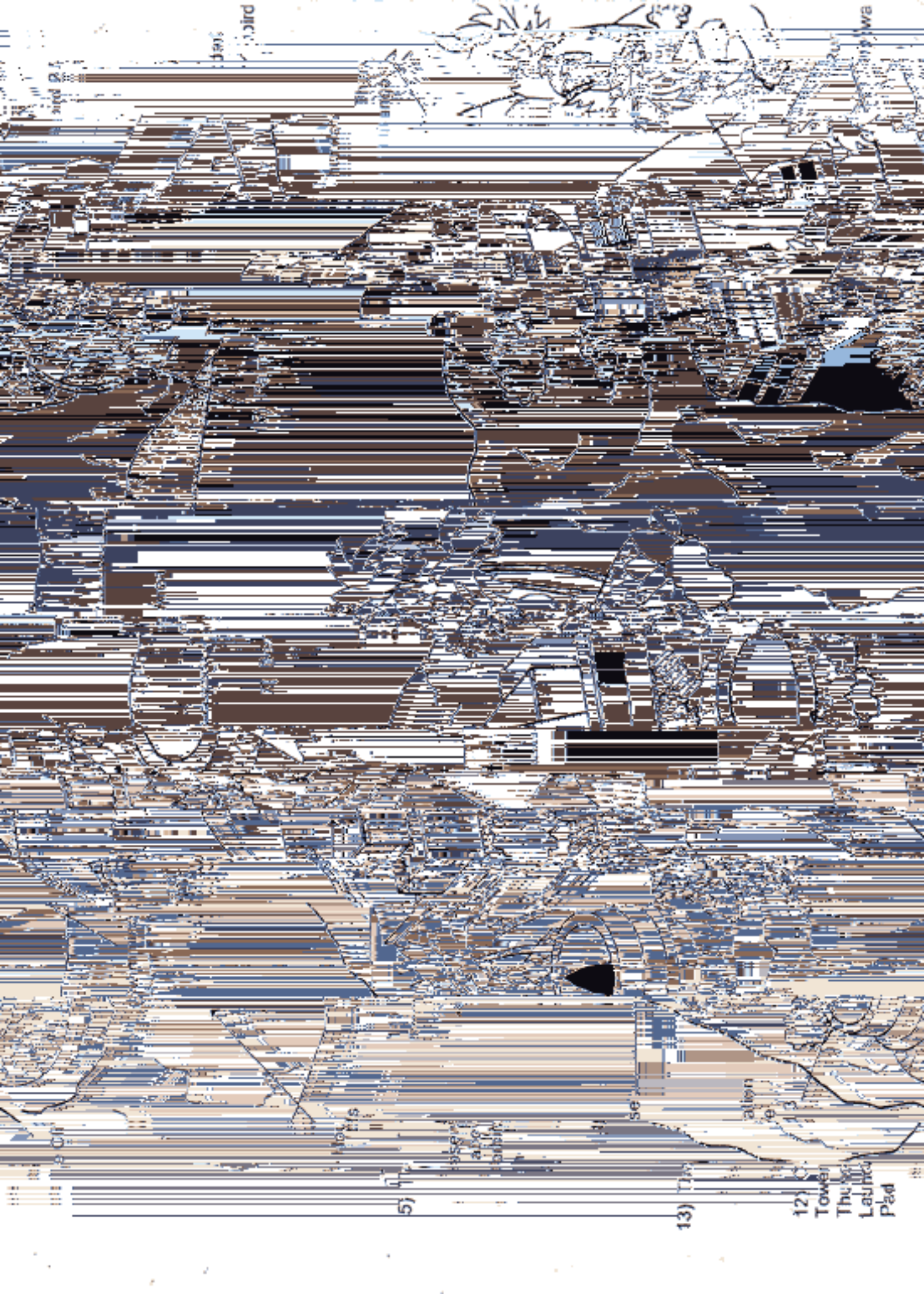
corrugated cardboard steps

14) The Steps

Cut narrow strips of corrugated cardboard to form steps then paint them grey. You will need three flights - one from the house down to the pool, the second from the observation tower to the ground and a third to link the observation tower to the swimming pool.

15) Palm Trees The tree trunks are pieces of pipe cleaner with brown paper wound round. Cut out leaves from green crepe paper and glue





5)

13)

12) Tower
The
Landscape
Pad